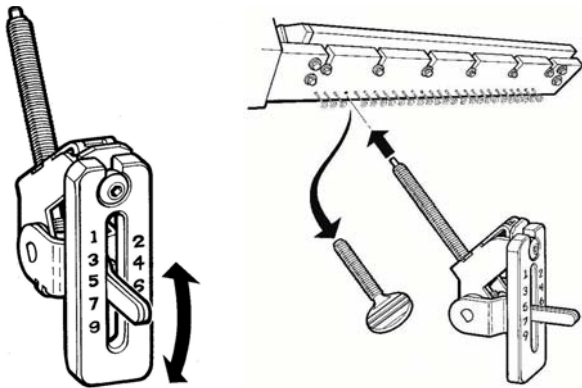


QUICKSET™ INK-KEY LEVERS™

The most popular lever retrofit ever in the newspaper industry.

Not only has the QuickSet Ink-Key Lever been the most desired lever retrofit by newspaper printers, we now supply our patented levers to several press manufacturers and dozens of press rebuilders. Lever retrofits have the most proven ROI of any press upgrade, and because QuickSet levers cost so much less with no hidden costs due to installation (you painlessly install them yourselves in about an hour per ink fountain), the ROI for QuickSet levers is almost universally under 6 months. After the 911 disaster, we drastically lowered our prices—and we have maintained that same pricing for over 10 years now, so there has never been a greater value for your dollar in acquiring QuickSet levers.

Now that we have proven, with a preponderance of evidence, that QuickSet Ink Pre-Setting produces the most effective ink pre-sets for use with web offset presses, we are excited to tell you that your QuickSet lever purchase provides a perfect upgrade path. Who would have thought that the combination of QuickSet levers with QuickSet Ink Pre-Setting would get color to a save position quicker than even the most expensive closed-loop driven remote consoles? Well, that is exactly what happened. You can get QuickSet levers now, and later add QuickSet Ink Pre-Setting—and take less waste than you ever could with even the most expensive remote console.



All Goss Community Units: New or Old



All models of Goss Urbanite and Suburban



All models of Harris Presses—new or old—even to replace old Telecolor systems



All QuadStacks, Quadra-Color, and Web Leader units.



All models of Hanscho

Hundreds of Thousands of levers sold Worldwide

We routinely adapt our patented lever design to new models of presses. We also currently have designs for Solna, Global, Dev, and Hamilton presses. For QuickSet designs for ColorKing, NewsKing, or any King Press design, contact Robertson Press Machinery/King Press.

QUICKSET CORPORATION • PO Box 3367 • Bellevue, WA 98056 • (425) 793-7770
E-mail: sales@quicksetcorporation.com

QUICKSET LEVERS

If you need levers for your press, then we have the best option. Our patented levers fit onto your press without any modification to your ink fountain. Easiest install in the industry (and your pressman does the installation). Our durable stainless steel levers will last the life of your press.

Typical Lever Costs—per ink fountain/duct

We are your least expensive alternative by far, as we demonstrate below:
(and no hidden costs due to installation—you easily install yourself):

Goss Community—\$864.00 per ink fountain/duct

Goss UOP—\$1176.00 per ink fountain/duct

Goss Urbanite (24-key)—\$1176.00 per ink fountain/duct

Goss Urbanite (18-key)—\$882.00 per ink fountain/duct

Goss Suburban—\$1176.00 per ink fountain/duct

Harris V15 — \$900.00 per ink fountain/duct

Harris 1650 (Extended Range Lever)—\$2665.00 per ink fountain/duct

Hanscho Mk II—VI (Extended Range Lever) — \$2045.00 per ink fountain/duct

Web Press Corp QuadStack—\$1260 per ink fountain/duct (33 key duct + blocks)

Web Press Corp Web Leader/Atlas—\$1260 per ink fountain/duct

Web Press Corp Quadracolor—\$1260 per ink fountain/duct

Other press types are available, and custom order requests are welcome.

We are a PAGE vendor—PAGE members get 10% off any lever purchase.

All prices in US dollars.